

Sales and Distribution:

Compact Square and
Round Axial Radial Fan
Airvent 2020

airvent
Engineering For Future



airvent
Engineering For Future

冷通机电科技有限公司
AirVent Mechanical and Electrical Technology Co.,Ltd.

4th Floor 1st Building, No.188 Haifeng Road, Development A Taizhou,
Zhejiang 318000P. R. China
浙江省台州市开发区海丰路188号1幢4楼 318000

冷通机电科技有限公司
AirVent Mechanical and Electrical Technology Co.,Ltd.

Company Introduction

冷通机电工业有限公司是专业生产工业通风用各种风机的高新技术企业。公司的主要产品包括：高效能罩极电机，普通罩极电机，外转子电机，离心风机和贯流风机。广泛应用于超市陈列柜，冷柜，制冰机，除湿机，饮料机，厨房冰箱，冷库，工业通风，电暖炉，烤箱，空调，风幕机等设备。

冷通的Y系列方形外转子紧凑型轴流风扇，是轻商制冷中常用的外转子电机，用于压缩机冷却和冷空气扩散，在安装空间狭小，而又对风量要求不高（通常是中高温冷藏设备）的应用中有较大的优势。

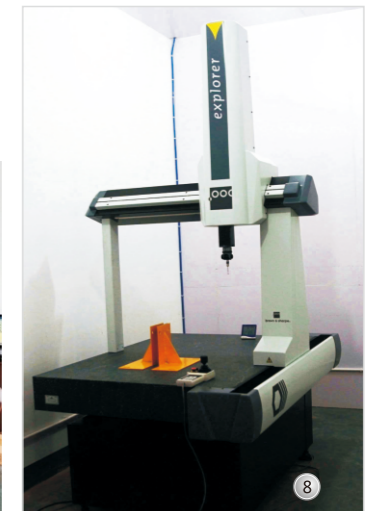
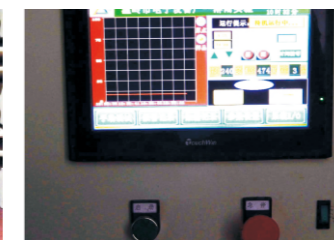
冷通的方形风扇，涵盖60X60mm到172 X 150mm多种规格，能满足客户各种不同需求。

冷通依托国内数所知名大学，拥有研发设计及先进的制造能力，可以按照客户的特殊要求设计制作专用电机。

Airvent Mechanical and Electrical Technology Co., Ltd. is a high-tech enterprise professionally engaged in various fans used in industrial ventilation solution. Main products including High Efficient Shaped Pole Motor, Shaped Pole Motor, Axial Fan, Centrifugal fan and Tangential Cross Blower. They are widely used in Showcase of Supermarket Chains, Cabinet, Ice Maker, Dehumidifier, Juice Dispenser, Kitchen Refrigerator, Cold Room, Industrial Ventilation, Electrical Heater, Oven, Air Conditioner, Air Curtain and some other equipment.

Airvent Y series square fans are external rotor fans, called Compact Axial Fan. have 2 poles with ball bearings or sleeve bearings, can be used for cooling of compressor and diffusion of cold air in light commercial refrigeration industry. Specially for those small installation space and less air flow requested appliances (normally for cold storage with medium and high temperature -10 to 10 degree).

Good partnership with many famous Chinese universities helps Airvent in R&D, key design and advanced manufacturing technology, we can design and produce special motors as customer requests to have customized Compact Axial Fan.



1. 高速冲
 2. 数控加工
 3. 空气动力性能试验
 4. 激光切割
 5. 噪音测试室
 6. 喷淋试验操作显示器
 7. 喷淋试验室
 8. 三坐标测量仪
 9. 电机测试系统
-
1. High speed punching
 2. Numerical control machining
 3. Aerodynamic performance
 4. Laser cutting
 5. Noise test
 6. Spray test
 7. Spray test
 8. Coordinate Measuring Machining
 9. Motor testing system

Compact Axial Fan

80x80x25mm

Data

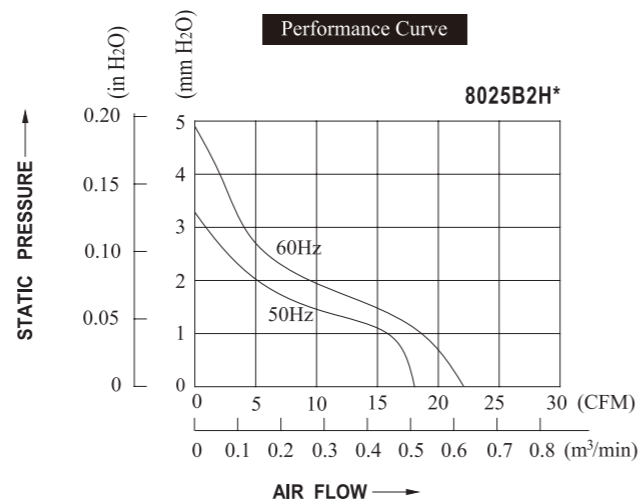
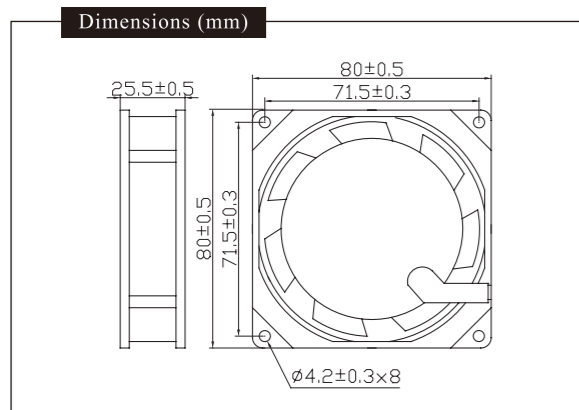


- SIZE:**
80×80×25mm
- CONSTRUCTION:**
- Die-cast aluminum housing
 - Glass fiber reinforced plastic impeller, UL 94V-0 rating
 - Impedance protected
 - Leader wire is available
- OPERATING TEMPERATURE:**
- Ball Bearing -30°C to +75°C
Sleeve Bearing -10°C to +70°C
- WEIGHT:**
260 grams

Specifications are subject to change without notice

MODEL	BEARING	RATING VOLTAGE VAC	FREQUENCY Hz	RATING CURRENT A	POWER CONSUMPTION W	SPEED RPM	AIR FLOW m ³ /min	AIR FLOW CFM	STATIC PRESSURE mmH ₂ O	NOISE dB-A
8025B1H*	Ball	115	50/60	0.12/0.10	14.0/13.5	2550/2900	0.51/0.61	18/22	3.30/4.83	29/33
8025S1H*	Sleeve									
8025B1M*	Ball	115	50/60	0.09/0.08	11.0/10.0	2300/2600	0.46/0.53	16/19	3.00/3.50	24/30
8025S1M*	Sleeve									
8025B1L*	Ball	115	50/60	0.07/0.07	9.0/8.0	2000/2200	0.37/0.40	13/14	2.70/2.60	20/21
8025S1L*	Sleeve									
8025B2H*	Ball	220/240	50/60	0.07/0.06	14.0/13.5	2550/2900	0.51/0.62	18/22	3.30/4.83	29/33
8025S2H*	Sleeve									
8025B2M*	Ball	220/240	50/60	0.06/0.06	11.0/10.0	2300/2600	0.46/0.53	16/19	3.00/3.50	24/30
8025S2M*	Sleeve									
8025B2L*	Ball	220/240	50/60	0.05/0.05	9.0/8.0	2000/2200	0.37/0.40	13/14	2.70/2.60	20/21
8025S2L*	Sleeve									

*=T,L(T-Terminal type,L-Lead wire)



Compact Axial Fan

80x80x38mm

Data

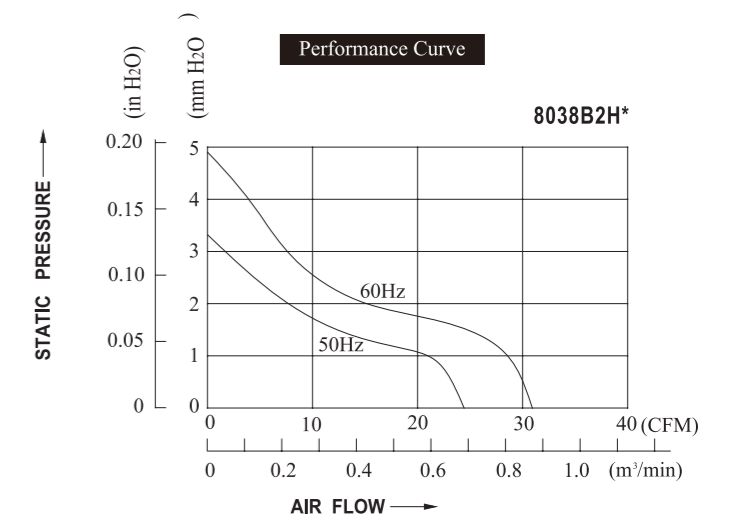
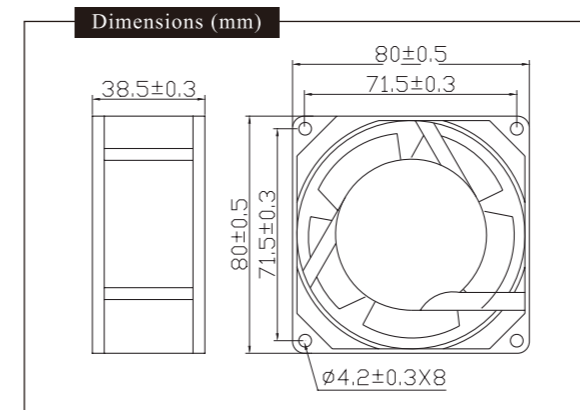


- SIZE:**
80×80×38mm
- CONSTRUCTION:**
- Die-cast aluminum housing
 - Glass fiber reinforced plastic impeller, UL 94V-0 rating
 - Impedance protected
 - Leader wire or Terminal is available
- OPERATING TEMPERATURE:**
- Ball Bearing -30°C to +75°C
Sleeve Bearing -10°C to +70°C
- WEIGHT:**
340 grams

Specifications are subject to change without notice

MODEL	BEARING	RATING VOLTAGE VAC	FREQUENCY Hz	RATING CURRENT A	POWER CONSUMPTION W	SPEED RPM	AIR FLOW m ³ /min	AIR FLOW CFM	STATIC PRESSURE mmH ₂ O	NOISE dB-A
8038B1H*	Ball	115	50/60	0.15/0.13	16.0/14.0	2400/2900	0.68/0.88	24/31	3.30/4.83	31/35
8038S1H*	Sleeve									
8038B1M*	Ball	115	50/60	0.13/0.11	14.0/12.0	2200/2400	0.62/0.65	22/23	3.10/3.60	27/31
8038S1M*	Sleeve									
8038B1L*	Ball	115	50/60	0.10/0.09	10.0/9.0	1800/1600	0.51/0.48	18/17	2.90/2.70	19/17
8038S1L*	Sleeve									
8038B2H*	Ball	220/240	50/60	0.11/0.10	18.0/16.0	2400/2900	0.68/0.88	24/31	3.30/4.83	31/35
8038S2H*	Sleeve									
8038B2M*	Ball	220/240	50/60	0.09/0.08	14.0/12.0	2200/2400	0.62/0.65	22/23	3.10/3.60	27/31
8038S2M*	Sleeve									
8038B2L*	Ball	220/240	50/60	0.08/0.07	10.0/9.0	1800/1600	0.51/0.48	18/17	2.90/2.70	19/17
8038S2L*	Sleeve									

*=T,L(T-Terminal type,L-Lead wire)



Compact Axial Fan

92x92x38mm Reverse Air Flow

Data

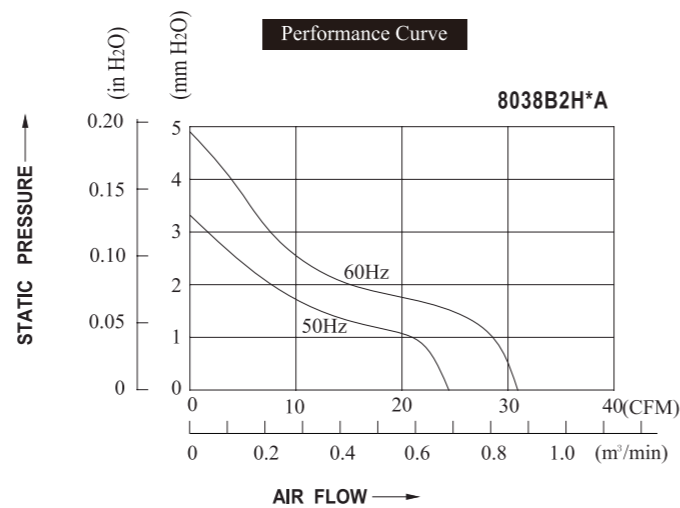
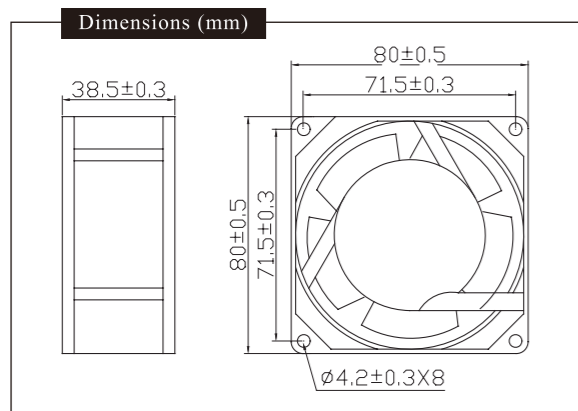


- SIZE:**
80×80×38mm
- CONSTRUCTION:**
- Die-cast aluminum housing
 - Glass fiber reinforced plastic impeller, UL 94V-0 rating
 - Impedance protected
 - Leader wire or Terminal is available
- OPERATING TEMPERATURE:**
Ball Bearing -30°C to +75°C
Sleeve Bearing -10°C to +70°C
- WEIGHT:**
340 grams

Specifications are subject to change without notice

MODEL	BEARING	RATING VOLTAGE VAC	FREQUENCY Hz	RATING CURRENT A	POWER CONSUMPTION W	SPEED RPM	AIR FLOW m ³ /min	AIR FLOW CFM	STATIC PRESSURE mmH ₂ O	NOISE dB-A
8038B1H*A 8038S1H*A	Ball Sleeve	115	50/60	0.15/0.13	16.0/14.0	2400/2900	0.68/0.88	24/31	3.30/4.83	31/35
8038B1M*A 8038S1M*A	Ball Sleeve	115	50/60	0.13/0.11	14.0/12.0	2200/2400	0.62/0.65	22/23	3.10/3.60	27/31
8038B1L*A 8038S1L*A	Ball Sleeve	115	50/60	0.10/0.09	10.0/9.0	1800/1600	0.51/0.48	18/17	2.90/2.70	19/17
8038B2H*A 8038S2H*A	Ball Sleeve	220/240	50/60	0.11/0.10	18.0/16.0	2400/2900	0.68/0.88	24/31	3.30/4.83	31/35
8038B2M*A 8038S2M*A	Ball Sleeve	220/240	50/60	0.09/0.08	14.0/12.0	2200/2400	0.62/0.65	22/23	3.10/3.60	27/31
8038B2L*A 8038S2L*A	Ball Sleeve	220/240	50/60	0.08/0.07	10.0/9.0	1800/1600	0.51/0.48	18/17	2.90/2.70	19/17

*=T,L(T-Terminal type,L-Lead wire)



Compact Axial Fan

92x92x25mm

Data

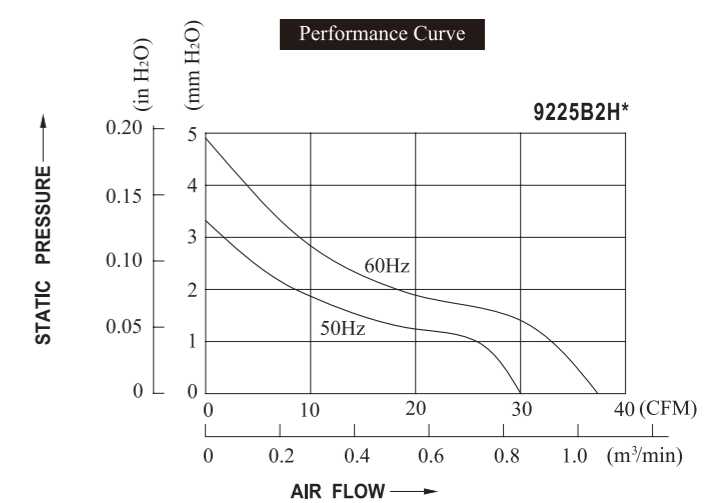
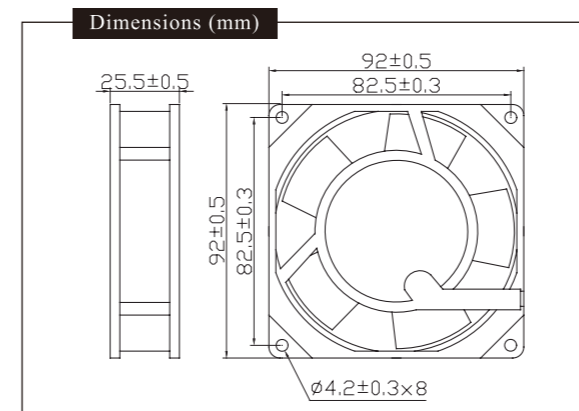


- SIZE:**
92×92×25mm
- CONSTRUCTION:**
- Die-cast aluminum housing
 - Glass fiber reinforced plastic impeller, UL 94V-0 rating
 - Impedance protected
 - Leader wire or Terminal is available
- OPERATING TEMPERATURE:**
Ball Bearing -30°C to +75°C
Sleeve Bearing -10°C to +70°C
- WEIGHT:**
280 grams

Specifications are subject to change without notice

MODEL	BEARING	RATING VOLTAGE VAC	FREQUENCY Hz	RATING CURRENT A	POWER CONSUMPTION W	SPEED RPM	AIR FLOW m ³ /min	AIR FLOW CFM	STATIC PRESSURE mmH ₂ O	NOISE dB-A
9225B1H* 9225S1H*	Ball Sleeve	115	50/60	0.12/0.10	14.0/13.5	2550/2900	0.85/1.05	30/37	3.30/4.83	32/37
9225B1M* 9225S1M*	Ball Sleeve	115	50/60	0.09/0.08	11.0/10.0	2300/2600	0.71/0.85	25/30	3.00/3.50	25/33
9225B1L* 9225S1L*	Ball Sleeve	115	50/60	0.07/0.07	9.0/8.0	2000/2200	0.60/0.62	21/22	2.70/2.60	22/24
9225B2H* 9225S2H*	Ball Sleeve	220/240	50/60	0.07/0.06	14.0/13.5	2550/2900	0.85/1.05	30/37	3.30/4.83	32/37
9225B2M* 9225S2M*	Ball Sleeve	220/240	50/60	0.06/0.06	11.0/10.0	2300/2600	0.71/0.85	25/30	3.00/3.50	25/33
9225B2L* 9225S2L*	Ball Sleeve	220/240	50/60	0.05/0.05	9.0/8.0	2000/2200	0.60/0.62	21/22	2.70/2.60	22/24

*=T,L(T-Terminal type,L-Lead wire)



Compact Axial Fan

92x92x38mm

Data

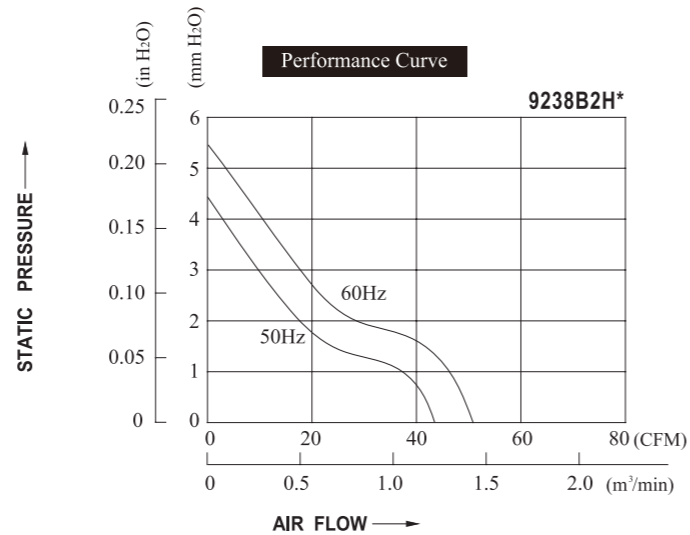
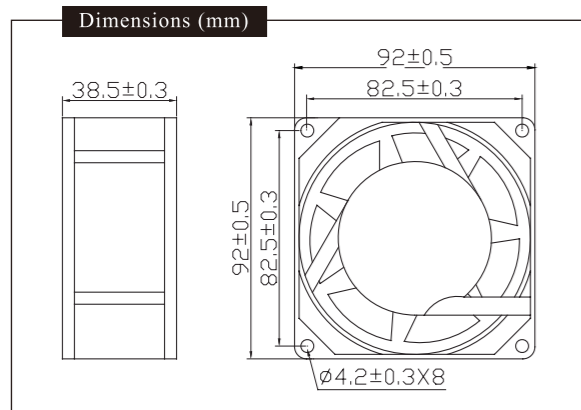


- SIZE:**
92×92×38mm
- CONSTRUCTION:**
- Die-cast aluminum housing
 - Glass fiber reinforced plastic impeller, UL 94V-0 rating
 - Impedance protected
 - Leader wire or Terminal is available
- OPERATING TEMPERATURE:**
- Ball Bearing -30°C to +75°C
Sleeve Bearing -10°C to +70°C
- WEIGHT:**
350 grams

Specifications are subject to change without notice

MODEL	BEARING	RATING VOLTAGE VAC	FREQUENCY Hz	RATING CURRENT A	POWER CONSUMPTION W	SPEED RPM	AIR FLOW m ³ /min	AIR FLOW CFM	STATIC PRESSURE mmH ₂ O	NOISE dB-A
9238B1H* 9238S1H*	Ball Sleeve	115	50/60	0.16/0.14	16.0/14.0	2400/2900	1.22/1.42	43/50	4.50/5.50	32/36
9238B1M* 9238S1M*	Ball Sleeve	115	50/60	0.13/0.11	14.0/12.0	2200/2400	0.79/0.91	28/32	3.50/4.20	27/31
9238B1L* 9238S1L*	Ball Sleeve	115	50/60	0.10/0.09	10.0/9.0	1800/1600	0.68/0.65	24/23	3.00/2.70	20/18
9238B2H* 9238S2H*	Ball Sleeve	220/240	50/60	0.12/0.11	16.0/14.0	2400/2900	1.22/1.42	43/50	4.50/5.50	32/36
9238B2M* 9238S2M*	Ball Sleeve	220/240	50/60	0.09/0.08	14.0/12.0	2200/2400	0.79/0.91	28/32	3.50/4.20	27/31
9238B2L* 9238S2L*	Ball Sleeve	220/240	50/60	0.08/0.07	10.0/9.0	1800/1600	0.68/0.65	24/23	3.00/2.70	20/18

*=T,L(T-Terminal type,L-Lead wire)



Compact Axial Fan

110x110x25mm

Data

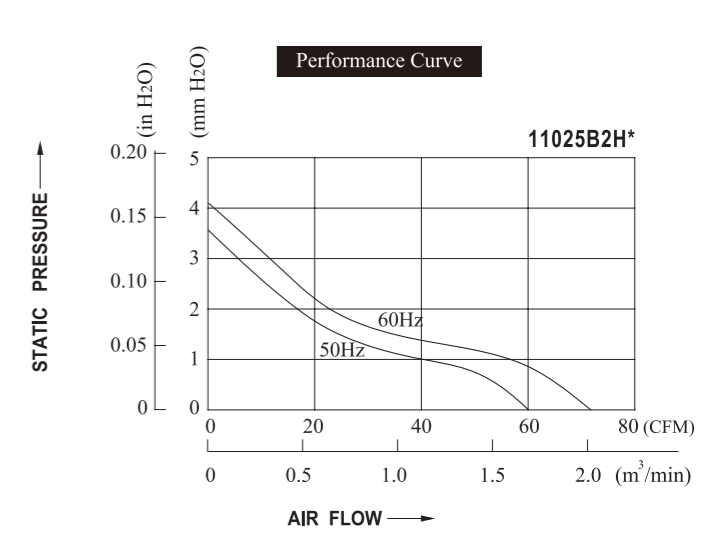
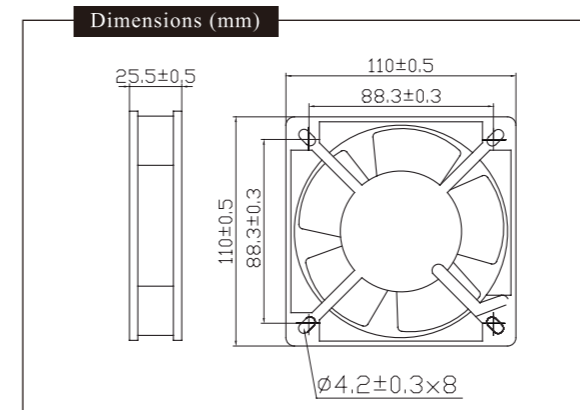


- SIZE:**
110×110×25mm
- CONSTRUCTION:**
- Die-cast aluminum housing
 - Glass fiber reinforced plastic impeller, UL 94V-0 rating
 - Impedance protected
 - Leader wire is available
- OPERATING TEMPERATURE:**
- Ball Bearing -30°C to +75°C
Sleeve Bearing -10°C to +70°C
- WEIGHT:**
310 grams

Specifications are subject to change without notice

MODEL	BEARING	RATING VOLTAGE VAC	FREQUENCY Hz	RATING CURRENT A	POWER CONSUMPTION W	SPEED RPM	AIR FLOW m ³ /min	AIR FLOW CFM	STATIC PRESSURE mmH ₂ O	NOISE dB-A
11025B1H* 11025S1H*	Ball Sleeve	115	50/60	0.19/0.18	19.0/18.0	2200/2400	1.70/2.01	60/71	3.56/4.06	36/38
11025B1M* 11025S1M*	Ball Sleeve	115	50/60	0.16/0.15	16.0/15.0	2000/2000	1.47/1.47	52/52	3.00/3.20	33/33
11025B1L* 11025S1L*	Ball Sleeve	115	50/60	0.13/0.11	14.0/13.0	1800/1700	1.30/1.27	46/45	2.78/2.68	28/27
11025B2H* 11025S2H*	Ball Sleeve	220/240	50/60	0.09/0.09	19.0/18.0	2200/2400	1.70/2.01	60/71	3.56/4.06	36/38
11025B2M* 11025S2M*	Ball Sleeve	220/240	50/60	0.07/0.07	16.0/15.0	2000/2000	1.47/1.47	52/52	3.00/3.20	33/33
11025B2L* 11025S2L*	Ball Sleeve	220/240	50/60	0.05/0.05	14.0/13.0	1800/1700	1.30/1.27	46/45	2.78/2.68	28/27

*=T,L(T-Terminal type,L-Lead wire)



Compact Axial Fan

120x120x25mm

Data

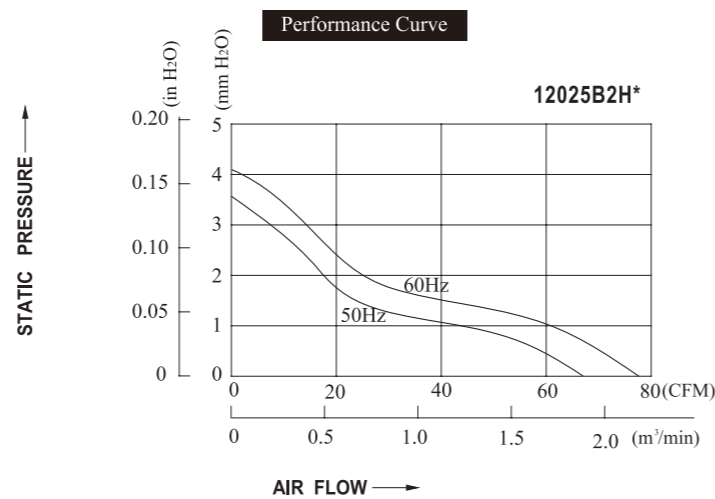
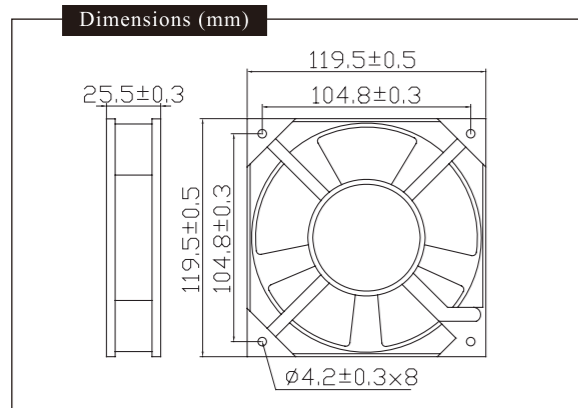


- SIZE:**
120×120×25mm
- CONSTRUCTION:**
- Die-cast aluminum housing
 - Glass fiber reinforced plastic impeller, UL 94V-0 rating
 - Impedance protected
 - Leader wire or Terminal is available
- OPERATING TEMPERATURE:**
- Ball Bearing -30°C to +75°C
Sleeve Bearing -10°C to +70°C
- WEIGHT:**
330 grams

Specifications are subject to change without notice

MODEL	BEARING	RATING VOLTAGE VAC	FREQUENCY Hz	RATING CURRENT A	POWER CONSUMPTION W	SPEED RPM	AIR FLOW m ³ /min	AIR FLOW CFM	STATIC PRESSURE mmH ₂ O	NOISE dB-A
12025B1H* 12025S1H*	Ball Sleeve	115	50/60	0.19/0.18	19.0/18.0	2200/2400	1.87/2.21	66/78	3.56/4.06	38/40
12025B1M* 12025S1M*	Ball Sleeve	115	50/60	0.16/0.15	16.0/15.0	2000/2000	1.64/1.64	58/58	3.00/3.20	35/35
12025B1L* 12025S1L*	Ball Sleeve	115	50/60	0.13/0.11	14.0/13.0	1800/1700	1.40/1.36	50/48	2.78/2.68	30/29
12025B2H* 12025S2H*	Ball Sleeve	220/240	50/60	0.09/0.09	19.0/18.0	2200/2400	1.87/2.21	66/78	3.56/4.06	38/40
12025B2M* 12025S2M*	Ball Sleeve	220/240	50/60	0.07/0.07	16.0/15.0	2000/2000	1.64/1.64	58/58	3.00/3.20	35/35
12025B2L* 12025S2L*	Ball Sleeve	220/240	50/60	0.05/0.05	14.0/13.0	1800/1700	1.40/1.36	50/48	2.78/2.68	30/29

*=T,L(T-Terminal type,L-Lead wire)



Compact Axial Fan

120x120x25mm 7 Impellers

Data

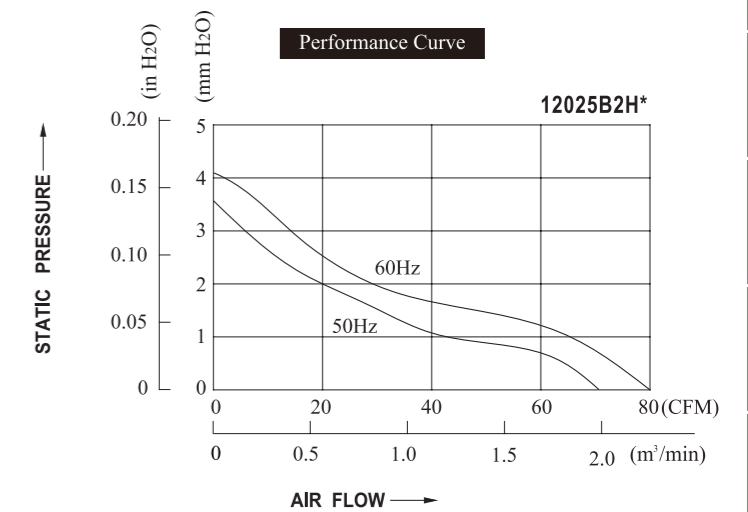
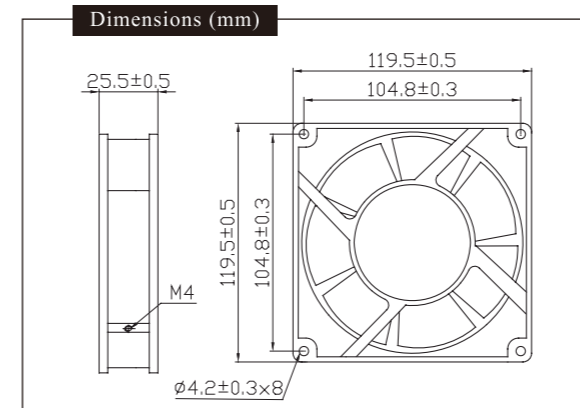


- SIZE:**
120×120×25mm
- CONSTRUCTION:**
- Die-cast aluminum housing
 - Glass fiber reinforced plastic impeller, UL 94V-0 rating
 - Impedance protected
 - Leader wire or Terminal is available
- OPERATING TEMPERATURE:**
- Ball Bearing -30°C to +75°C
Sleeve Bearing -10°C to +70°C
- WEIGHT:**
380 grams

Specifications are subject to change without notice

MODEL	BEARING	RATING VOLTAGE VAC	FREQUENCY Hz	RATING CURRENT A	POWER CONSUMPTION W	SPEED RPM	AIR FLOW m ³ /min	AIR FLOW CFM	STATIC PRESSURE mmH ₂ O	NOISE dB-A
12025B1H 12025S1H*	Ball Sleeve	115	50/60	0.17/0.16	16.0/15.0	2200/2400	1.98/2.26	70/80	3.56/4.06	38/40
12025B1M* 12025S1M*	Ball Sleeve	115	50/60	0.16/0.15	13.0/12.0	2000/2000	1.76/1.76	62/62	3.00/3.20	35/35
12025B1L* 12025S1L*	Ball Sleeve	115	50/60	0.13/0.11	11.0/10.0	1800/1700	1.56/1.47	55/52	2.78/2.68	30/29
12025B2H* 12025S2H*	Ball Sleeve	220/240	50/60	0.09/0.09	16.0/15.0	2200/2400	1.98/2.26	70/80	3.56/4.06	38/40
12025B2M* 12025S2M*	Ball Sleeve	220/240	50/60	0.07/0.07	13.0/12.0	2000/2000	1.76/1.76	62/62	3.00/3.20	35/35
12025B2L* 12025S2L*	Ball Sleeve	220/240	50/60	0.05/0.05	11.0/10.0	1800/1700	1.56/1.47	55/52	2.78/2.68	30/29

*=T,L(T-Terminal type,L-Lead wire)



Compact Axial Fan

120x120x38mm 7 Impellers

Data

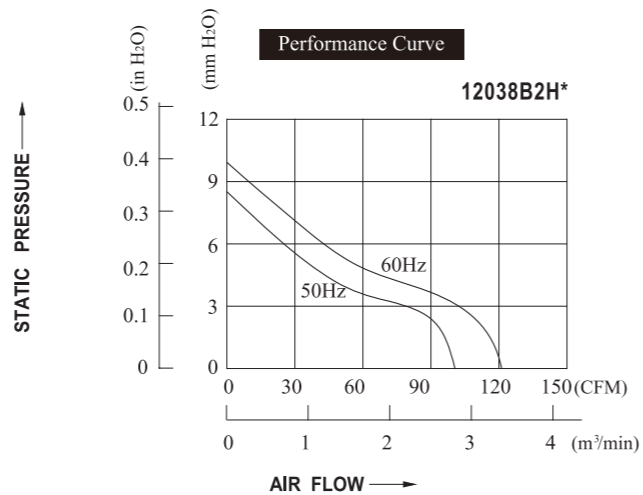
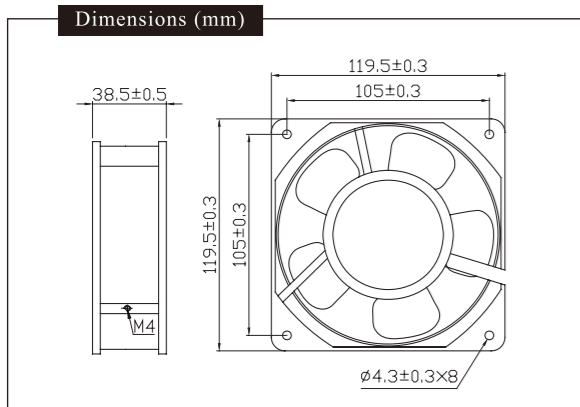


- SIZE:**
120×120×38mm
- CONSTRUCTION:**
- Die-cast aluminum housing
 - Glass fiber reinforced plastic impeller, UL 94V-0 rating
 - Impedance protected
 - Leader wire or Terminal is available
- OPERATING TEMPERATURE:**
Ball Bearing -30°C to +75°C
Sleeve Bearing -10°C to +70°C
- WEIGHT:**
530 grams

Specifications are subject to change without notice

MODEL	BEARING	RATING VOLTAGE VAC	FREQUENCY Hz	RATING CURRENT A	POWER CONSUMPTION W	SPEED RPM	AIR FLOW m ³ /min	AIR FLOW CFM	STATIC PRESSURE mmH ₂ O	NOISE dB-A
12038B1H*	Ball	115	50/60	0.26/0.19	17.0/15.0	2700/3100	2.78/3.34	98/118	8.80/9.80	42/47
12038B2H*	Ball	220	50/60	0.12/0.10	17.0/15.0	2700/3100	2.78/3.34	98/118	8.80/9.80	42/47
12038B3H*	Ball	380	50	0.06	15.0	2700	2.78	98	8.80	42

*=T,L(T-Terminal type,L-Lead wire)



Compact Axial Fan

φ172x150x51mm

Data

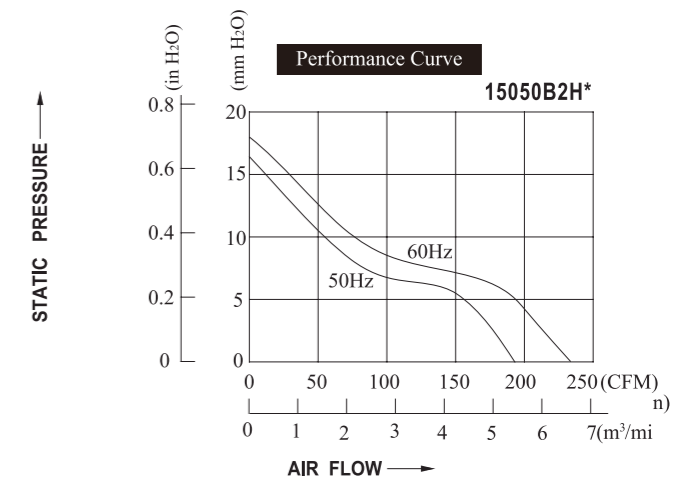
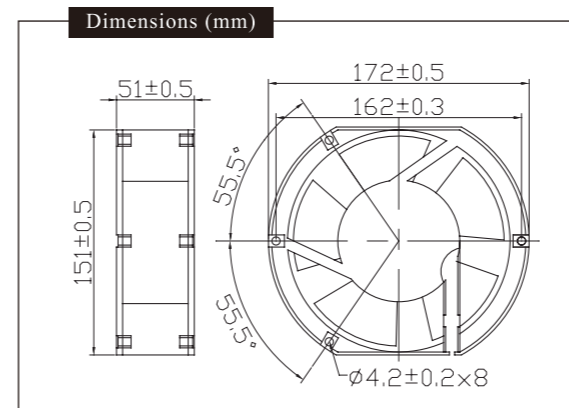


- SIZE:**
Φ172×150×51mm
- CONSTRUCTION:**
- Die-cast aluminum housing
 - Glass fiber reinforced plastic impeller, UL 94V-0 rating
 - Impedance protected
 - Leader wire or Terminal is available
- OPERATING TEMPERATURE:**
Ball Bearing -30°C to +75°C
Sleeve Bearing -10°C to +70°C
- WEIGHT:**
908 grams

Specifications are subject to change without notice

MODEL	BEARING	RATING VOLTAGE VAC	FREQUENCY Hz	RATING CURRENT A	POWER CONSUMPTION W	SPEED RPM	AIR FLOW m ³ /min	AIR FLOW CFM	STATIC PRESSURE mmH ₂ O	NOISE dB-A
15050B1H*	Ball	115	50/60	0.50/0.45	37.0/36.0	2700/3100	5.37/6.65	190/235	16.00/17.78	45/50
15050S1H*	Sleeve	115	50/60	0.41/0.39	32.0/30.0	2400/2300	4.80/4.50	170/160	15.00/14.00	41/40
15050B1M*	Ball	115	50/60	0.41/0.39	32.0/30.0	2400/2300	4.80/4.50	170/160	15.00/14.00	41/40
15050S1M*	Sleeve	115	50/60	0.35/0.35	26.0/25.0	1900/1500	3.50/3.00	125/105	8.00/6.00	32/30
15050B1L*	Ball	115	50/60	0.35/0.35	26.0/25.0	1900/1500	3.50/3.00	125/105	8.00/6.00	32/30
15050S1L*	Sleeve	115	50/60	0.22/0.23	25.0/27.0	2800/3200	5.74/6.76	203/239	17.10/18.88	51/58
15050B1X*-TC	Ball	115	50/60	0.22/0.23	25.0/27.0	2800/3200	5.74/6.76	203/239	17.10/18.88	51/58
15050B2H*	Ball	220/240	50/60	0.22/0.21	34.0/33.0	2700/3100	5.37/6.65	190/235	16.00/17.78	45/50
15050S2H*	Sleeve	220/240	50/60	0.19/0.18	30.0/28.0	2400/2300	4.80/4.50	170/160	15.00/14.00	41/40
15050B2M*	Ball	220/240	50/60	0.19/0.18	30.0/28.0	2400/2300	4.80/4.50	170/160	15.00/14.00	41/40
15050S2M*	Sleeve	220/240	50/60	0.16/0.16	16.0/25.0	1900/1500	3.50/3.00	125/105	8.00/6.00	32/30
15050B2L*	Ball	220/240	50/60	0.16/0.16	16.0/25.0	1900/1500	3.50/3.00	125/105	8.00/6.00	32/30
15050S2L*	Sleeve	220/240	50/60	0.11/0.11	25.0/26.0	2800/3200	5.74/6.76	203/239	17.10/18.88	51/58
15050B2X*-TC	Ball	220/240	50/60	0.11/0.11	25.0/26.0	2800/3200	5.74/6.76	203/239	17.10/18.88	51/58
15050B3H*	Ball	380	50	0.11	34.0	2700	5.37	190	16.00	45
15050S3H*	Sleeve	380	50	0.11	34.0	2700	5.37	190	16.00	45
15050B3M*	Ball	380	50	0.09	30.0	2400	4.80	170	15.00	41
15050S3M*	Sleeve	380	50	0.09	30.0	2400	4.80	170	15.00	41
15050B3L*	Ball	380	50	0.07	26.0	1900	3.50	125	8.00	32
15050S3L*	Sleeve	380	50	0.07	26.0	1900	3.50	125	8.00	32
15050B3X*-TC	Ball	380	50	0.06	20.0	2800	5.74	203	17.10	51

*=T,L(T-Terminal type,L-Lead wire)



Compact Axial Fan

φ172x150x51mm Big Air Flow

Data

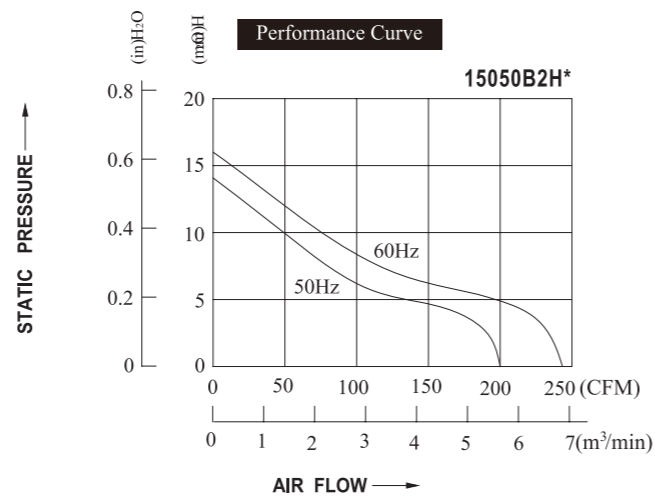
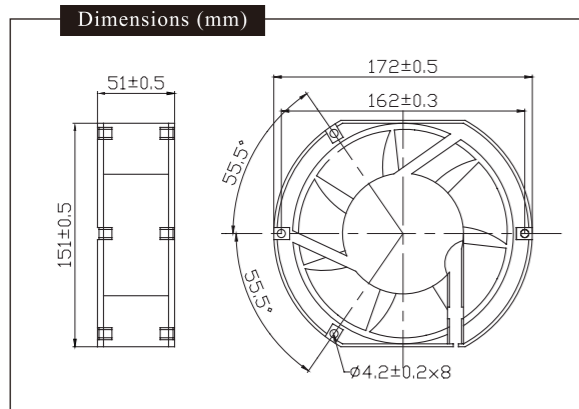


- SIZE:**
Φ172×150×51mm
- CONSTRUCTION:**
- Die-cast aluminum housing
 - Glass fiber reinforced plastic impeller, UL 94V-0 rating
 - Impedance protected
 - Leader wire or Terminal is available
- OPERATING TEMPERATURE:**
Ball Bearing -30°C to +75°C
Sleeve Bearing -10°C to +70°C
- WEIGHT:**
908 grams

Specifications are subject to change without notice

MODEL	BEARING	RATING VOLTAGE VAC	FREQUENCY Hz	RATING CURRENT A	POWER CONSUMPTION W	SPEED RPM	AIR FLOW m ³ /min	AIR FLOW CFM	STATIC PRESSURE mmH ₂ O	NOISE dB-A
15050B1H* 15050S1H*	Ball Sleeve	115	50/60	0.50/0.45	37.0/36.0	2600/3000	5.68/6.96	200/245	14.00/16.00	46/52
15050B1M* 15050S1M*	Ball Sleeve	115	50/60	0.41/0.39	32.0/30.0	2400/2300	5.06/4.72	178/166	12.00/11.00	43/42
15050B1L* 15050S1L*	Ball Sleeve	115	50/60	0.35/0.35	26.0/25.0	1900/1500	3.69/3.27	130/115	7.80/5.90	35/33
15050B2H* 15050S2H*	Ball Sleeve	220/240	50/60	0.22/0.21	34.0/33.0	2600/3000	5.68/6.96	200/245	14.00/16.00	46/52
15050B2M* 15050S2M*	Ball Sleeve	220/240	50/60	0.19/0.18	30.0/28.0	2400/2300	5.06/4.72	178/166	12.00/11.00	43/42
15050B2L* 15050S2L*	Ball Sleeve	220/240	50/60	0.16/0.16	26.0/25.0	1900/1500	3.69/3.27	130/115	7.80/5.90	35/33
15050B3H* 15050S3H*	Ball Sleeve	380	50	0.11	34.0	2600	5.68	200	14.00	46
15050B3M* 15050S3M*	Ball Sleeve	380	50	0.09	30.0	2400	5.06	178	12.00	43
15050B3L* 15050S3L*	Ball Sleeve	380	50	0.07	26.0	1900	3.69	130	7.80	35

*=T,L(T-Terminal type,L-Lead wire)



Compact Axial Fan

φ220x60mm

Data

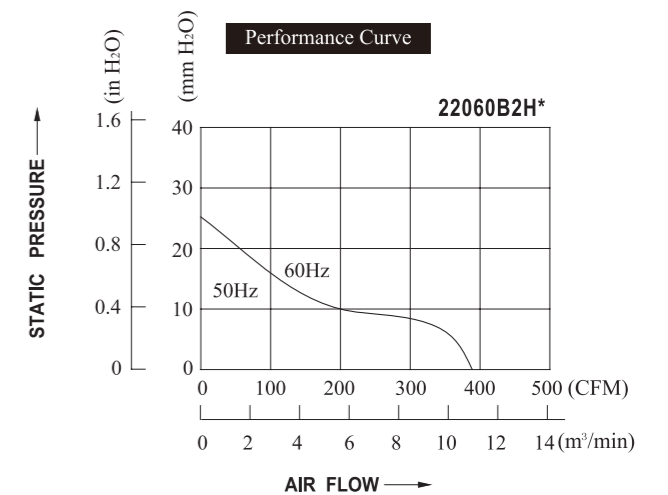
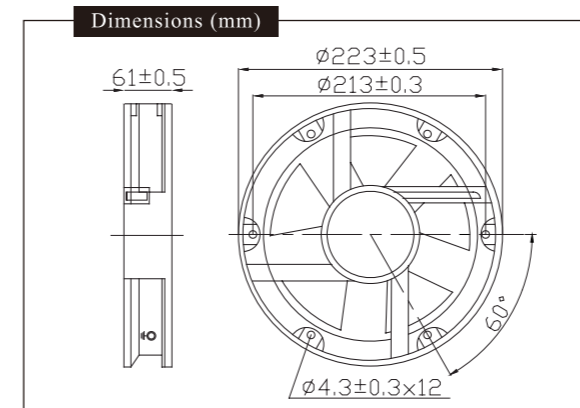


- SIZE:**
Φ220×60mm
- CONSTRUCTION:**
- Die-cast aluminum housing
 - Glass fiber reinforced plastic impeller, UL 94V-0 rating
 - Impedance protected
 - Leader wire or Terminal is available
- OPERATING TEMPERATURE:**
Ball Bearing -30°C to +75°C
- WEIGHT:**
1400 grams

Specifications are subject to change without notice

MODEL	BEARING	RATING VOLTAGE VAC	FREQUENCY Hz	RATING CURRENT A	POWER CONSUMPTION W	SPEED RPM	AIR FLOW m ³ /min	AIR FLOW CFM	STATIC PRESSURE mmH ₂ O	NOISE dB-A
22060B1H*	Ball	115	50/60	0.76/0.77	57.0/58.0	2400	11.00	388	25.40	56
22060B1X*-TC	Ball	115	50/60	0.42/0.46	50.0/60.0	2800/3200	11.32/12.74	400/450	28.00/36.00	61/66
22060B2H*	Ball	220/240	50/60	0.28/0.29	40.0/38.0	2400	11.00	388	25.40	56
22060B2X*-TC	Ball	220/240	50/60	0.26/0.26	50.0/60.0	2800/3200	11.32/12.74	400/450	28.00/36.00	61/66
22060B3H*	Ball	380	50	0.16	40.0	2400	11.00	388	25.40	56

*=T,L(T-Terminal type,L-Lead wire)



Compact Axial Fan

φ254x89mm

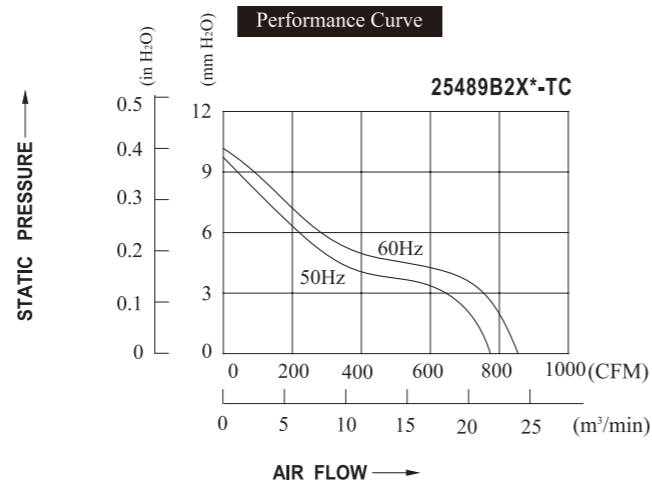
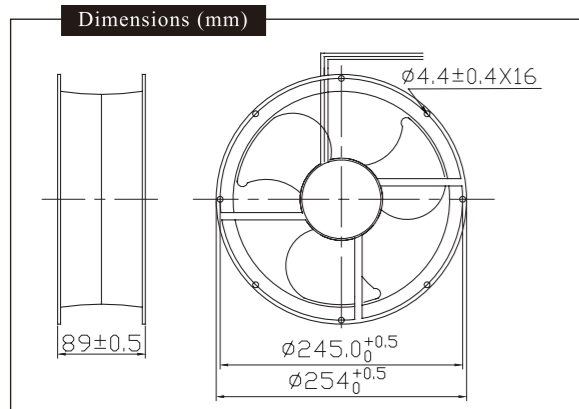
Data



- SIZE:**
Φ254×89mm
- CONSTRUCTION:**
- Die-cast aluminum housing
 - Glass fiber reinforced plastic impeller, UL 94V-0 rating
 - Impedance protected
 - Leader wire or Terminal is available
- OPERATING TEMPERATURE:**
Ball Bearing -30°C to +75°C
- WEIGHT:**
2000 grams

MODEL	BEARING	RATING VOLTAGE VAC	FREQUENCY Hz	RATING CURRENT A	POWER CONSUMPTION W	SPEED RPM	AIR FLOW m ³ /min	AIR FLOW CFM	STATIC PRESSURE mmH ₂ O	NOISE dB-A
25489B1H*-TC	Ball	115	50/60	0.23/0.23	26.0/23.0	1400/1600	16.98/18.82	600/665	6.86/9.14	50/52
25489B2X*-TC	Ball	220/240	50/60	0.24/0.27	56.0/60.0	1900/2100	21.79/24.06	770/850	9.65/10.16	55/57
25489B2H*-TC	Ball	220/240	50/60	0.15/0.13	30.0/30.0	1400/1600	16.98/18.82	600/665	6.86/9.14	50/52

*=T,L(T-Terminal type,L-Lead wire)



Compact Axial Fan DC Series

60x60x25mm

Data



CONSTRUCTION:

Glass Fiber reinforced plastic;
Impeller and frame PBT are UL 94V-0

OPERATING TEMPERATURE:

Ball bearing -30°C to +75°C
Sleeve bearing -10°C to +70°C

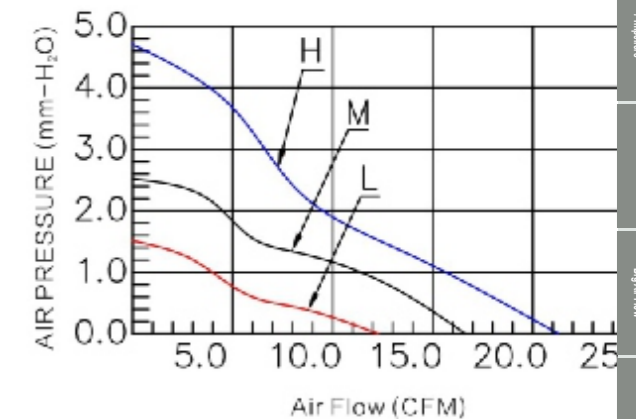
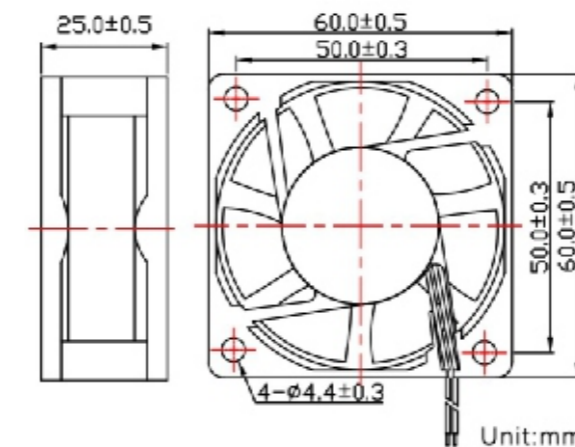
INSULATION RESISTANCE:

10reg Ohm min, at 500 VDC
(between frame and terminal)

DIELECTRIC STRENGTH:

5mA max, at 500 VAC 60Hz one minute
(between frame and terminal)

Model PART NO.	Reled Voltage VDC	Operation Voltage VDC	Current Amp	Speed R.P.M.	Air Flow RFM	Air Pressure mmH ₂ O	Noise dB(A)	Weight g
DC6025B1HT (L)	12	10.8-13.2	0.14	4000	21.08	4.70	29.32	60
DC6025B1MT(L)			0.11	3300	17.41	2.56	24.64	
DC6025B1LT(L)			0.08	2500	13.21	1.15	21.05	
DC6025B2HT(L)	24	21.6-26.4	0.10	4000	21.08	4.7	29.32	
DC6025B2MT(L)			0.08	3300	17.41	2.56	24.64	
DC6025B2LT(L)			0.06	2500	13.21	1.15	21.05	



Compact Axial Fan DC Series

60x60x38mm

Data



CONSTRUCHON:

Glass Fiber reinforced plsatic;
Impeller and frame PBT are UL 94V-0

OPERATING TEMPERATURE:

Ball bearing -30°C to +75°C

Sleeve bearing -10°C to +70°C

INSULATION RESISTANCE:

10reg Ohm min, at 500 VDC

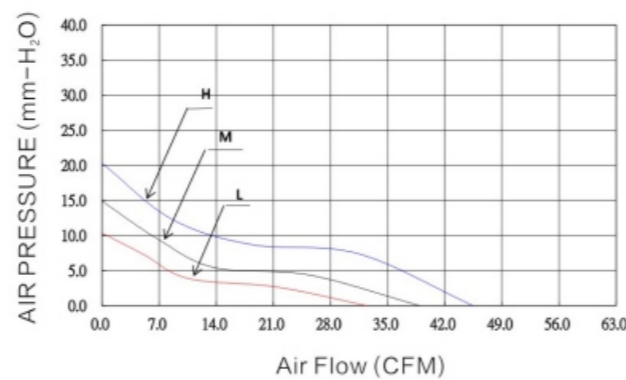
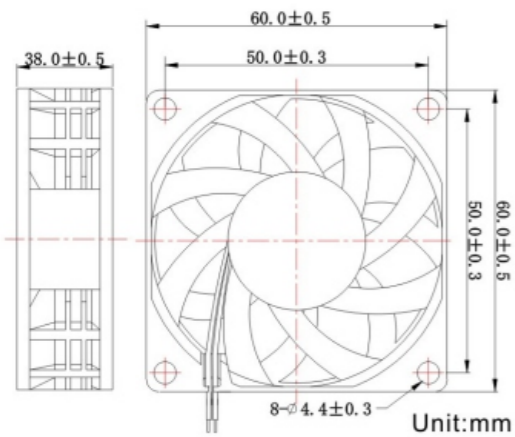
(between frame and terminal)

DIELECTRIC STRENGTH.

5mA max, at 500 VAC 60Hz one minute

(between frame and terminal)

Model PART NO.	Reled Voltage VDC	Operation Voltage VDC	Current Amp	Speed R.P.M.	Air Flow RFM	Air Pressure mmH ₂ O	Noise dB(A)	Weight g
DC6025B1HT (L)	12	10.8-13.2	0.14	4000	21.08	4.70	29.32	60
DC6025B1MT(L)			0.11	3300	17.41	2.56	24.64	
DC6025B1LT(L)			0.08	2500	13.21	1.15	21.05	
DC6025B2HT(L)	24	21.6-26.4	0.10	4000	21.08	4.7	29.32	
DC6025B2MT(L)			0.08	3300	17.41	2.56	24.64	
DC6025B2LT(L)			0.06	2500	13.21	1.15	21.05	



Compact Axial Fan DC Series

70x70x15mm

Data



CONSTRUCHON:

Glass Fiber reinforced plsatic;
Impeller and frame PBT are UL 94V-0

OPERATING TEMPERATURE:

Ball bearing -30°C to +75°C

Sleeve bearing -10°C to +70°C

INSULATION RESISTANCE:

10reg Ohm min, at 500 VDC

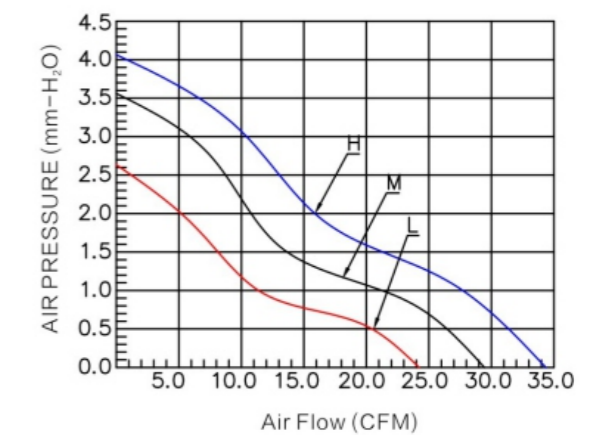
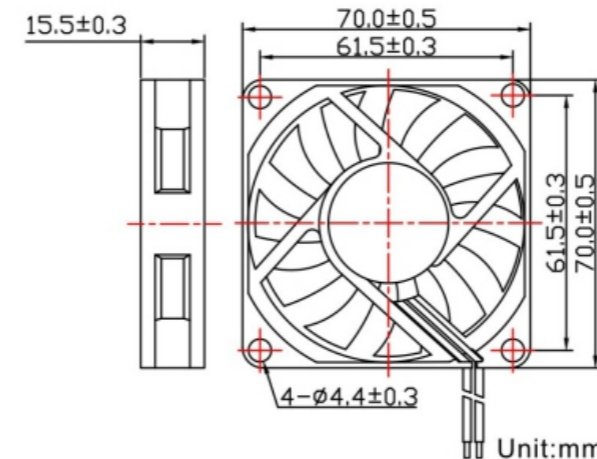
(between frame and terminal)

DIELECTRIC STRENGTH.

5mA max, at 500 VAC 60Hz one minute

(between frame and terminal)

Model PART NO.	Reled Voltage VDC	Operation Voltage VDC	Current Amp	Speed R.P.M.	Air Flow RFM	Air Pressure mmH ₂ O	Noise dB(A)	Weight g
DC6025B1HT (L)	12	10.8-13.2	0.14	4000	21.08	4.70	29.32	60
DC6025B1MT(L)			0.11	3300	17.41	2.56	24.64	
DC6025B1LT(L)			0.08	2500	13.21	1.15	21.05	
DC6025B2HT(L)	24	21.6-26.4	0.10	4000	21.08	4.7	29.32	
DC6025B2MT(L)			0.08	3300	17.41	2.56	24.64	
DC6025B2LT(L)			0.06	2500	13.21	1.15	21.05	



Compact Axial Fan DC Series

70x70x25mm

Data



CONSTRUCHON:

Glass Fiber reinforced plsatic;
Impeller and frame PBT are UL 94V-0

OPERATING TEMPERATURE:

Ball bearing -30°C to +75°C
Sleeve bearing -10°C to +70°C

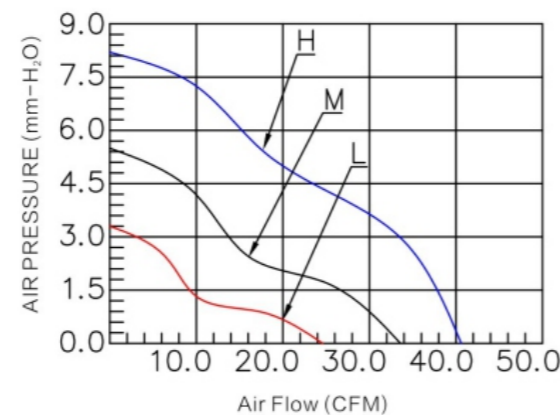
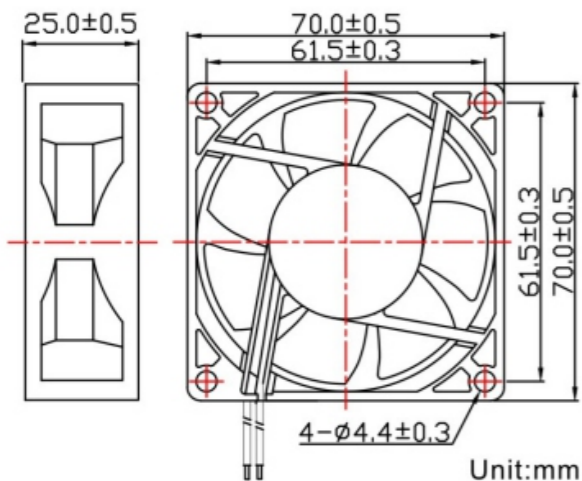
INSULATION RESISTANCE:

10reg Ohm min, at 500 VDC
(between frame and terminal)

DIELECTRIC STRENGTH.

5mA max, at 500 VAC 60Hz one minute
(between frame and terminal)

Model PART NO.	Reled Voltage VDC	Operation Voltage VDC	Current Amp	Speed R.P.M.	Air Flow RFM	Air Pressure mmH ₂ O	Noise dB(A)	Weight g
DC6025B1HT (L)	12	10.8-13.2	0.14	4000	21.08	4.70	29.32	60
DC6025B1MT(L)			0.11	3300	17.41	2.56	24.64	
DC6025B1LT(L)			0.08	2500	13.21	1.15	21.05	
DC6025B2HT(L)	24	21.6-26.4	0.10	4000	21.08	4.7	29.32	
DC6025B2MT(L)			0.08	3300	17.41	2.56	24.64	
DC6025B2LT(L)			0.06	2500	13.21	1.15	21.05	



Compact Axial Fan DC Series

80x80x15mm

Data



CONSTRUCHON:

Glass Fiber reinforced plsatic;
Impeller and frame PBT are UL 94V-0

OPERATING TEMPERATURE:

Ball bearing -30°C to +75°C
Sleeve bearing -10°C to +70°C

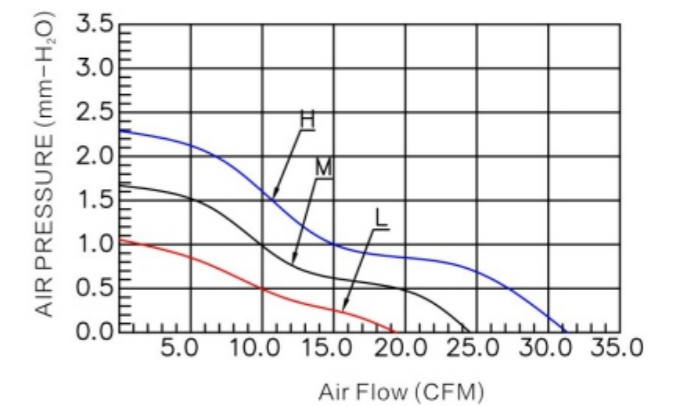
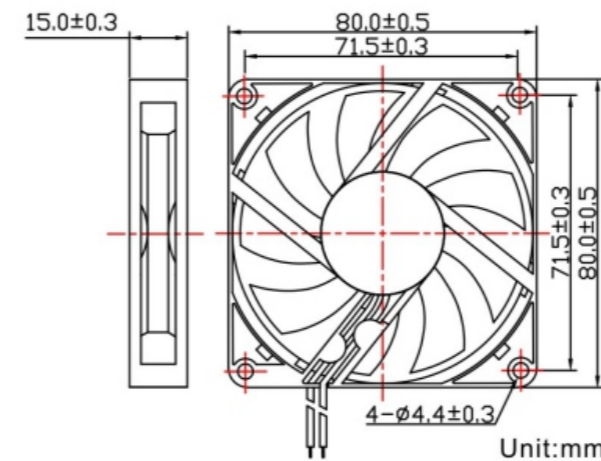
INSULATION RESISTANCE:

10reg Ohm min, at 500 VDC
(between frame and terminal)

DIELECTRIC STRENGTH.

5mA max, at 500 VAC 60Hz one minute
(between frame and terminal)

Model PART NO.	Reled Voltage VDC	Operation Voltage VDC	Current Amp	Speed R.P.M.	Air Flow RFM	Air Pressure mmH ₂ O	Noise dB(A)	Weight g
DC6025B1HT (L)	12	10.8-13.2	0.14	4000	21.08	4.70	29.32	60
DC6025B1MT(L)			0.11	3300	17.41	2.56	24.64	
DC6025B1LT(L)			0.08	2500	13.21	1.15	21.05	
DC6025B2HT(L)	24	21.6-26.4	0.10	4000	21.08	4.7	29.32	
DC6025B2MT(L)			0.08	3300	17.41	2.56	24.64	
DC6025B2LT(L)			0.06	2500	13.21	1.15	21.05	



Compact Axial Fan DC Series

80x80x20mm

Data



CONSTRUCHON:

Glass Fiber reinforced plsatic;
Impeller and frame PBT are UL 94V-0

OPERATING TEMPERATURE:

Ball bearing -30°C to +75°C
Sleeve bearing -10°C to +70°C

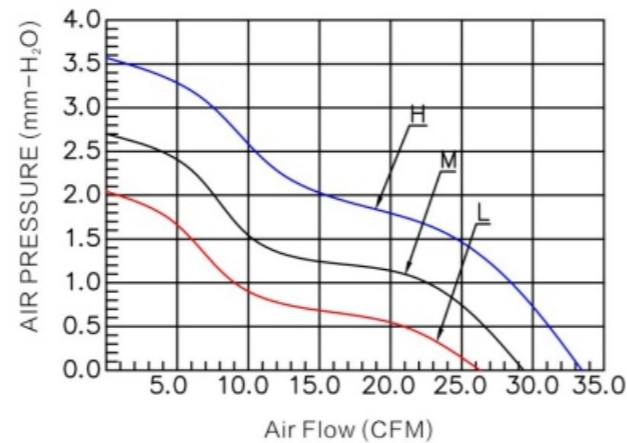
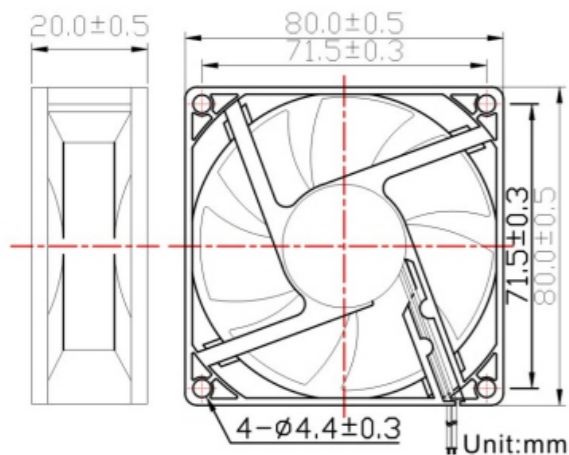
INSULATION RESISTANCE:

10reg Ohm min, at 500 VDC
(between frame and terminal)

DIELECTRIC STRENGTH.

5mA max, at 500 VAC 60Hz one minute
(between frame and terminal)

Model PART NO.	Reled Voltage VDC	Operation Voltage VDC	Current Amp	Speed R.P.M.	Air Flow RFM	Air Pressure mmH ₂ O	Noise dB(A)	Weight g
DC6025B1HT (L)	12	10.8-13.2	0.14	4000	21.08	4.70	29.32	60
DC6025B1MT(L)			0.11	3300	17.41	2.56	24.64	
DC6025B1LT(L)			0.08	2500	13.21	1.15	21.05	
DC6025B2HT(L)	24	21.6-26.4	0.10	4000	21.08	4.7	29.32	
DC6025B2MT(L)			0.08	3300	17.41	2.56	24.64	
DC6025B2LT(L)			0.06	2500	13.21	1.15	21.05	



Compact Axial Fan DC Series

80x80x25mm

Data



CONSTRUCHON:

Glass Fiber reinforced plsatic;
Impeller and frame PBT are UL 94V-0

OPERATING TEMPERATURE:

Ball bearing -30°C to +75°C
Sleeve bearing -10°C to +70°C

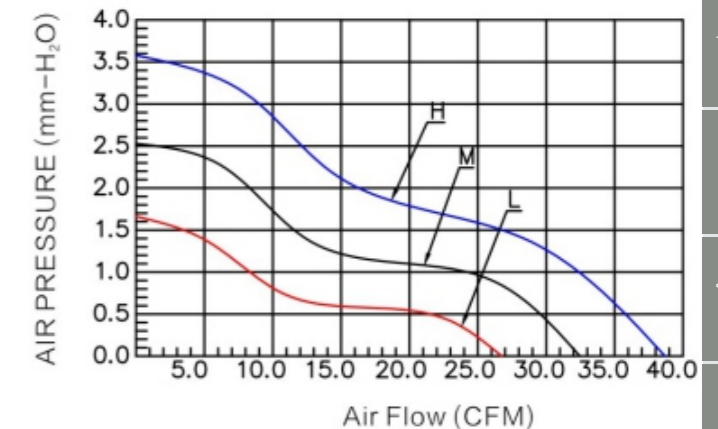
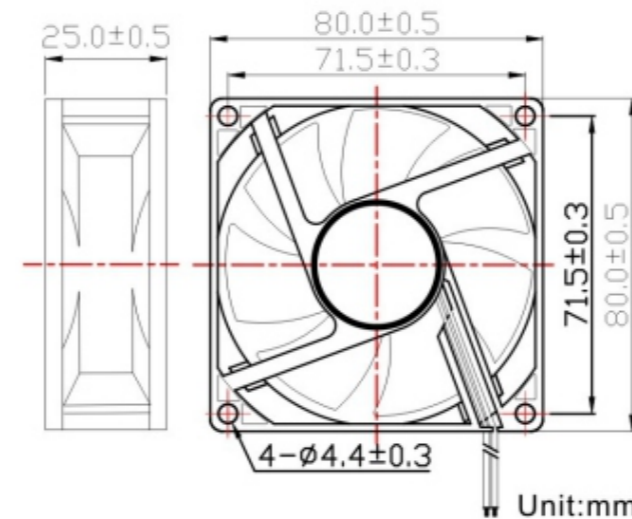
INSULATION RESISTANCE:

10reg Ohm min, at 500 VDC
(between frame and terminal)

DIELECTRIC STRENGTH.

5mA max, at 500 VAC 60Hz one minute
(between frame and terminal)

Model PART NO.	Reled Voltage VDC	Operation Voltage VDC	Current Amp	Speed R.P.M.	Air Flow RFM	Air Pressure mmH ₂ O	Noise dB(A)	Weight g
DC6025B1HT (L)	12	10.8-13.2	0.14	4000	21.08	4.70	29.32	60
DC6025B1MT(L)			0.11	3300	17.41	2.56	24.64	
DC6025B1LT(L)			0.08	2500	13.21	1.15	21.05	
DC6025B2HT(L)	24	21.6-26.4	0.10	4000	21.08	4.7	29.32	
DC6025B2MT(L)			0.08	3300	17.41	2.56	24.64	
DC6025B2LT(L)			0.06	2500	13.21	1.15	21.05	



Compact Axial Fan DC Series

92x92x25mm

Data



CONSTRUCHON:

Glass Fiber reinforced plsatic;
Impeller and frame PBT are UL 94V-0

OPERATING TEMPERATURE:

Ball bearing -30°C to +75°C

Sleeve bearing -10°C to +70°C

INSULATION RESISTANCE:

10reg Ohm min, at 500 VDC

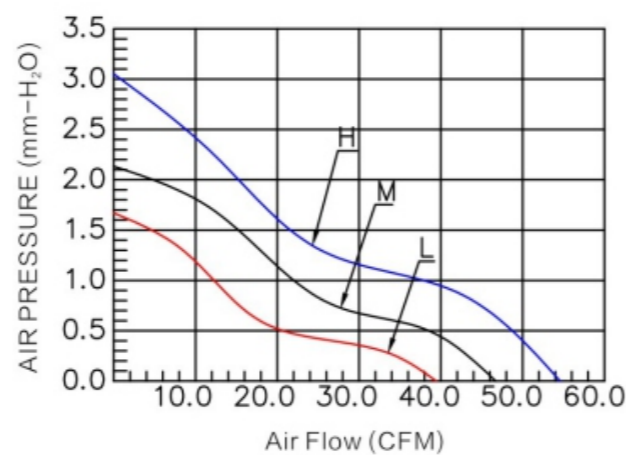
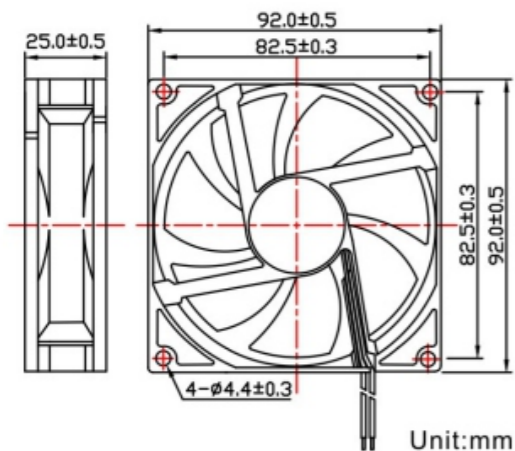
(between frame and terminal)

DIELECTRIC STRENGTH.

5mA max, at 500 VAC 60Hz one minute

(between frame and terminal)

Model PART NO.	Reled Voltage VDC	Operation Voltage VDC	Current Amp	Speed R.P.M.	Air Flow RFM	Air Pressure mmH ₂ O	Noise dB(A)	Weight g
DC6025B1HT (L)	12	10.8-13.2	0.14	4000	21.08	4.70	29.32	60
DC6025B1MT(L)			0.11	3300	17.41	2.56	24.64	
DC6025B1LT(L)			0.08	2500	13.21	1.15	21.05	
DC6025B2HT(L)	24	21.6-26.4	0.10	4000	21.08	4.7	29.32	
DC6025B2MT(L)			0.08	3300	17.41	2.56	24.64	
DC6025B2LT(L)			0.06	2500	13.21	1.15	21.05	



Compact Axial Fan DC Series

92x92x38mm

Data



CONSTRUCHON:

Glass Fiber reinforced plsatic;
Impeller and frame PBT are UL 94V-0

OPERATING TEMPERATURE:

Ball bearing -30°C to +75°C

Sleeve bearing -10°C to +70°C

INSULATION RESISTANCE:

10reg Ohm min, at 500 VDC

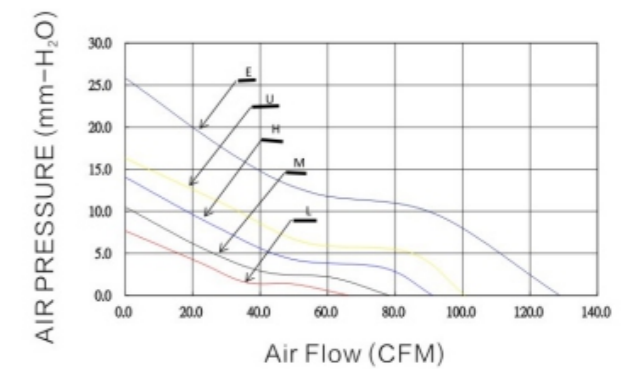
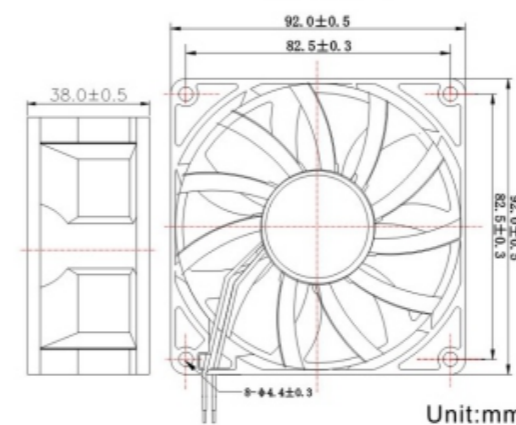
(between frame and terminal)

DIELECTRIC STRENGTH.

5mA max, at 500 VAC 60Hz one minute

(between frame and terminal)

Model PART NO.	Reled Voltage VDC	Operation Voltage VDC	Current Amp	Speed R.P.M.	Air Flow RFM	Air Pressure mmH ₂ O	Noise dB(A)	Weight g
DC6025B1HT (L)	12	10.8-13.2	0.14	4000	21.08	4.70	29.32	60
DC6025B1MT(L)			0.11	3300	17.41	2.56	24.64	
DC6025B1LT(L)			0.08	2500	13.21	1.15	21.05	
DC6025B2HT(L)	24	21.6-26.4	0.10	4000	21.08	4.7	29.32	
DC6025B2MT(L)			0.08	3300	17.41	2.56	24.64	
DC6025B2LT(L)			0.06	2500	13.21	1.15	21.05	



Compact Axial Fan DC Series

120x120x25mm

Data



CONSTRUCHON:

Glass Fiber reinforced plsatic;
Impeller and frame PBT are UL 94V-0

OPERATING TEMPERATURE:

Ball bearing -30°C to +75°C
Sleeve bearing -10°C to +70°C

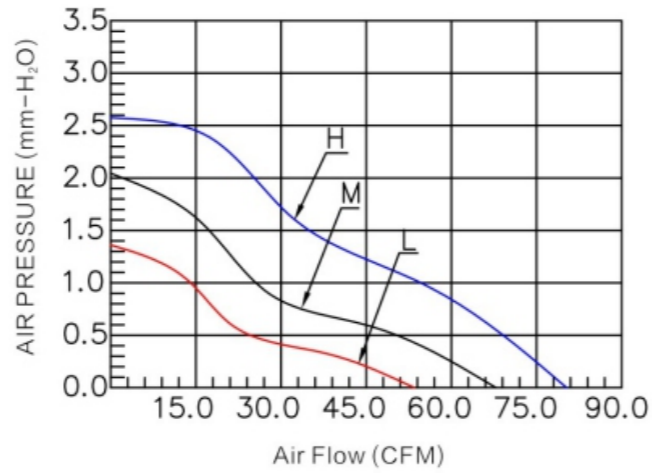
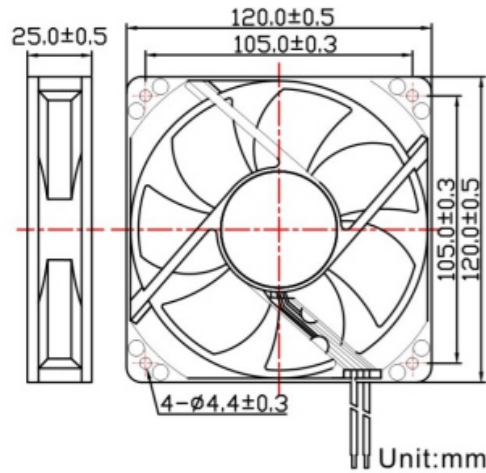
INSULATION RESISTANCE:

10reg Ohm min, at 500 VDC
(between frame and terminal)

DIELECTRIC STRENGTH:

5mA max, at 500 VAC 60Hz one minute
(between frame and terminal)

Model PART NO.	Rated Voltage VDC	Operation Voltage VDC	Current Amp	Speed R.P.M.	Air Flow RFM	Air Pressure mmH ₂ O	Noise dB(A)	Weight g
DC6025B1HT (L)	12	10.8-13.2	0.14	4000	21.08	4.70	29.32	60
DC6025B1MT(L)			0.11	3300	17.41	2.56	24.64	
DC6025B1LT(L)			0.08	2500	13.21	1.15	21.05	
DC6025B2HT(L)	24	21.6-26.4	0.10	4000	21.08	4.7	29.32	
DC6025B2MT(L)			0.08	3300	17.41	2.56	24.64	
DC6025B2LT(L)			0.06	2500	13.21	1.15	21.05	



Compact Axial Fan DC Series

120x120x32mm

Data



CONSTRUCHON:

Glass Fiber reinforced plsatic;
Impeller and frame PBT are UL 94V-0

OPERATING TEMPERATURE:

Ball bearing -30°C to +75°C
Sleeve bearing -10°C to +70°C

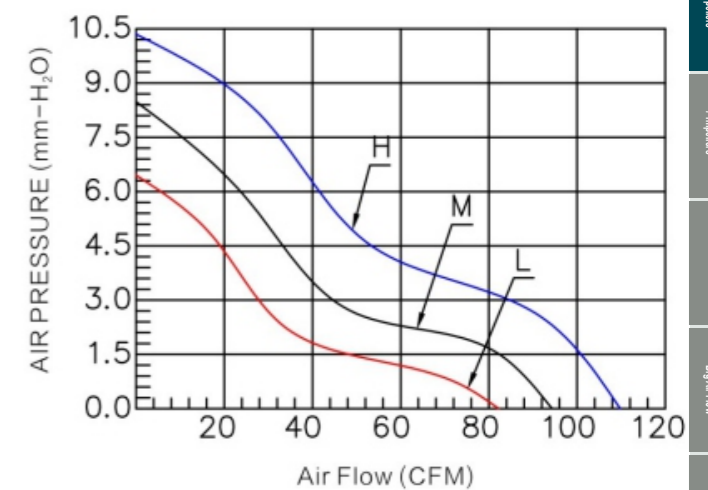
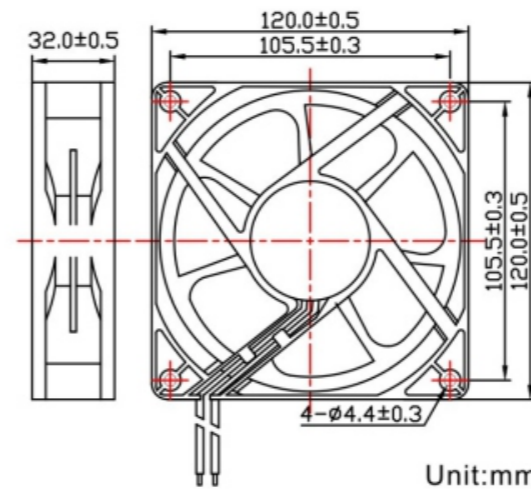
INSULATION RESISTANCE:

10reg Ohm min, at 500 VDC
(between frame and terminal)

DIELECTRIC STRENGTH:

5mA max, at 500 VAC 60Hz one minute
(between frame and terminal)

Model PART NO.	Rated Voltage VDC	Operation Voltage VDC	Current Amp	Speed R.P.M.	Air Flow RFM	Air Pressure mmH ₂ O	Noise dB(A)	Weight g
DC6025B1HT (L)	12	10.8-13.2	0.14	4000	21.08	4.70	29.32	60
DC6025B1MT(L)			0.11	3300	17.41	2.56	24.64	
DC6025B1LT(L)			0.08	2500	13.21	1.15	21.05	
DC6025B2HT(L)	24	21.6-26.4	0.10	4000	21.08	4.7	29.32	
DC6025B2MT(L)			0.08	3300	17.41	2.56	24.64	
DC6025B2LT(L)			0.06	2500	13.21	1.15	21.05	



Compact Axial Fan DC Series

120x120x38mm

Data



CONSTRUCHON:

Glass Fiber reinforced plsatic;
Impeller and frame PBT are UL 94V-0

OPERATING TEMPERATURE:

Ball bearing -30°C to +75°C
Sleeve bearing -10°C to +70°C

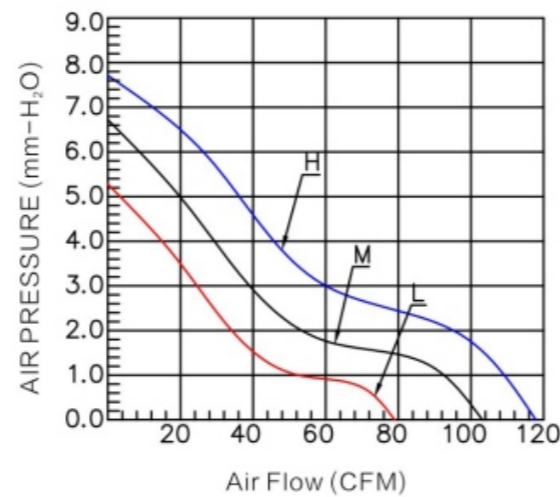
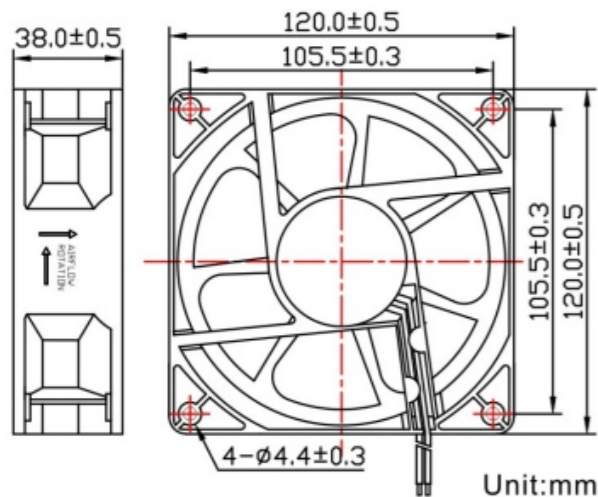
INSULATION RESISTANCE:

10reg Ohm min, at 500 VDC
(between frame and terminal)

DIELECTRIC STRENGTH.

5mA max, at 500 VAC 60Hz one minute
(between frame and terminal)

Model PART NO.	Reled Voltage VDC	Operation Voltage VDC	Current Amp	Speed R.P.M.	Air Flow RFM	Air Pressure mmH ₂ O	Noise dB(A)	Weight g
DC6025B1HT (L)	12	10.8-13.2	0.14	4000	21.08	4.70	29.32	60
DC6025B1MT(L)			0.11	3300	17.41	2.56	24.64	
DC6025B1LT(L)			0.08	2500	13.21	1.15	21.05	
DC6025B2HT(L)	24	21.6-26.4	0.10	4000	21.08	4.7	29.32	
DC6025B2MT(L)			0.08	3300	17.41	2.56	24.64	
DC6025B2LT(L)			0.06	2500	13.21	1.15	21.05	



Compact Axial Fan DC Series

120x120x38mm

Data



CONSTRUCHON:

Glass Fiber reinforced plsatic;
Impeller and frame PBT are UL 94V-0

OPERATING TEMPERATURE:

Ball bearing -30°C to +75°C
Sleeve bearing -10°C to +70°C

INSULATION RESISTANCE:

10reg Ohm min, at 500 VDC
(between frame and terminal)

DIELECTRIC STRENGTH.

5mA max, at 500 VAC 60Hz one minute
(between frame and terminal)

Model PART NO.	Reled Voltage VDC	Operation Voltage VDC	Current Amp	Speed R.P.M.	Air Flow RFM	Air Pressure mmH ₂ O	Noise dB(A)	Weight g
DC6025B1HT (L)	12	10.8-13.2	0.14	4000	21.08	4.70	29.32	60
DC6025B1MT(L)			0.11	3300	17.41	2.56	24.64	
DC6025B1LT(L)			0.08	2500	13.21	1.15	21.05	
DC6025B2HT(L)	24	21.6-26.4	0.10	4000	21.08	4.7	29.32	
DC6025B2MT(L)			0.08	3300	17.41	2.56	24.64	
DC6025B2LT(L)			0.06	2500	13.21	1.15	21.05	

